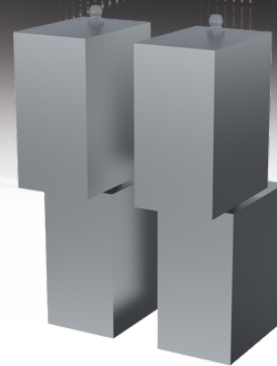




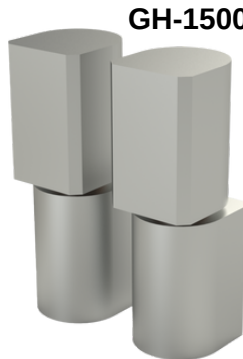
# HINGES

GATE OPERATOR HARDWARE & ACCESORIES

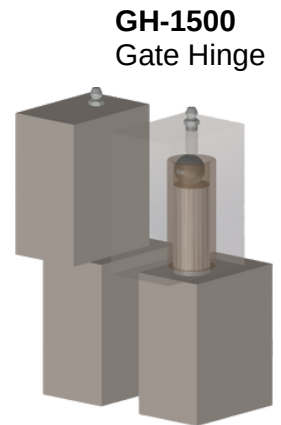
All-O-Matic offers the GH-1500 and GH-5000 gate hinges for swing gates weighing 1,500 and 5,000 lbs, respectively. Made of iron steel, these hinges have a bronze bushing, stainless steel pivot shaft, 5/8" ball bearing, and a grease fitting.



GH-5000

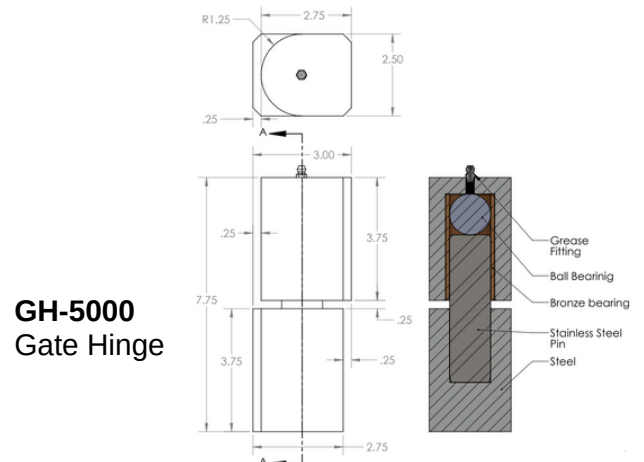
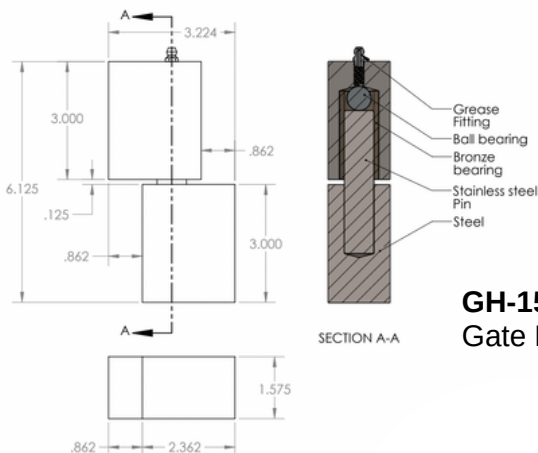


GH-1500



GH-1500 Gate Hinge

## Drawing



**SLIDERS | SWINGERS | OVERHEADS**

The standard by which all other automatic gate operators are measured.

