



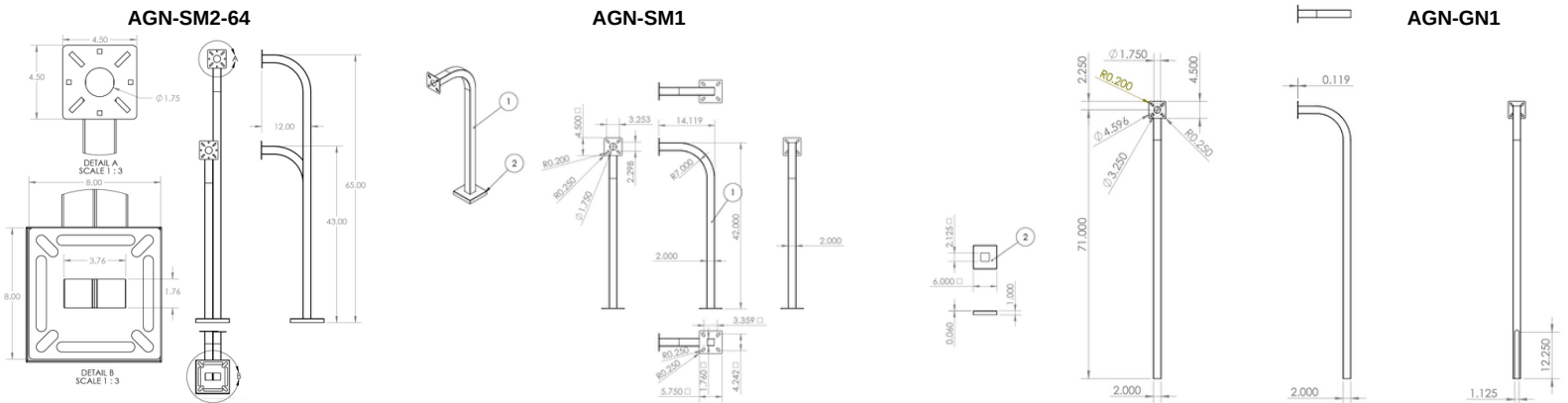
GOOSENECKS

GATE OPERATOR HARDWARE & ACCESORIES

Our gooseneck posts are designed to mount keypads, card readers, and telephone entry systems for vehicle access. They are constructed of 2" x 2" powder-coated steel and come with a 4" x 4" plate for easy accessory mounting (surface mount models only). Posts are available in surface mount (part: AGN-SM1) and in-ground (part: AGN-GN1) styles. A dual-height gooseneck post is also available (part: AGN-SM2-64). Posts



Parts & Drawing



SLIDERS | SWINGERS | OVERHEADS

The standard by which all other automatic gate operators are measured.

