



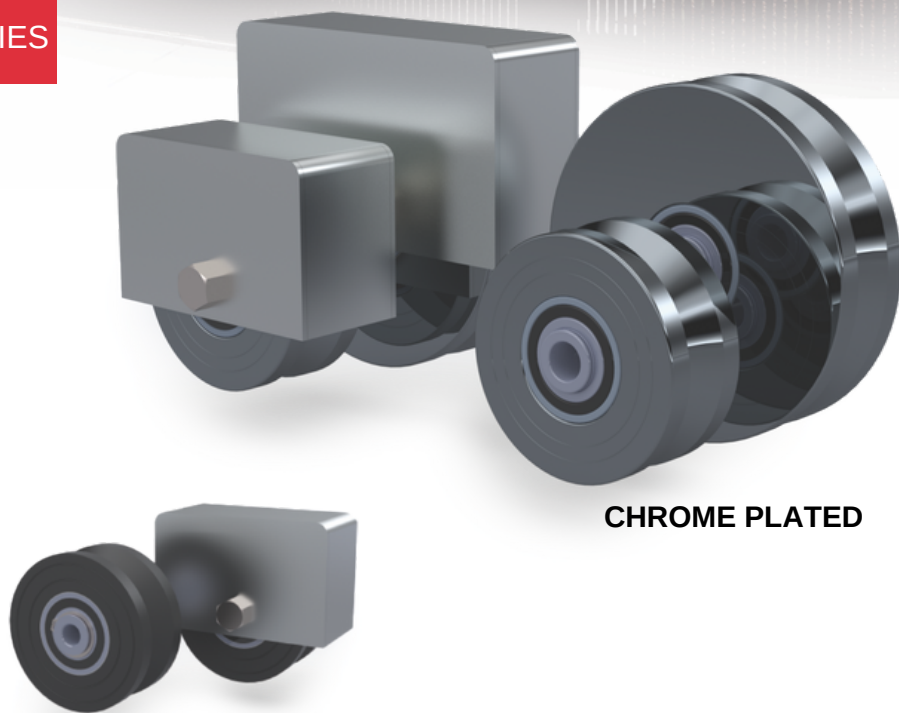
# WHEELS

## GATE OPERATOR HARDWARE & ACCESORIES

We offer a range of 4" and 6" nylon and chrome solid steel v-wheels to fit your gate's size, weight, and usage. These wheels have lubricated, double-sealed bearings for quiet operation and minimal maintenance. We also have 4" and 6" clear zinc wheel boxes for added protection.

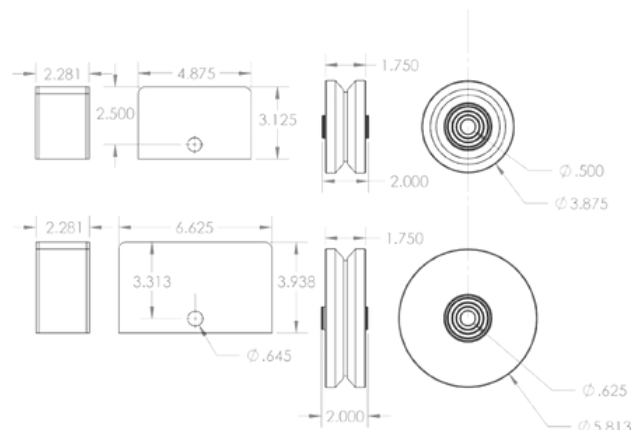
ZINC PLATED

CHROME PLATED



### Parts & Drawing

PART NUMBER	PART NAME
AVW-450	4" STEEL WHEEL - 1/2 BOLT (3,000 Lbs. CAPACITY)
AVW-665	6" STEEL WHEEL - 5/8 BOLT (5,000 Lbs. CAPACITY)
AVW-665T	6" STEEL NARROW WHEEL - 5/8 BOLT
AWMB-4	4" STEEL WHEEL BOX - CLEAR ZINC
AWMB-6	6" STEEL WHEEL BOX - CLEAR ZINC
AWP4-B	4" PLASTIC WHEEL WITH BEARING



## SLIDERS | SWINGERS | OVERHEADS

The standard by which all other automatic gate operators are measured.

