

ALL-O-MATIC

IK-3 IDLER KITS

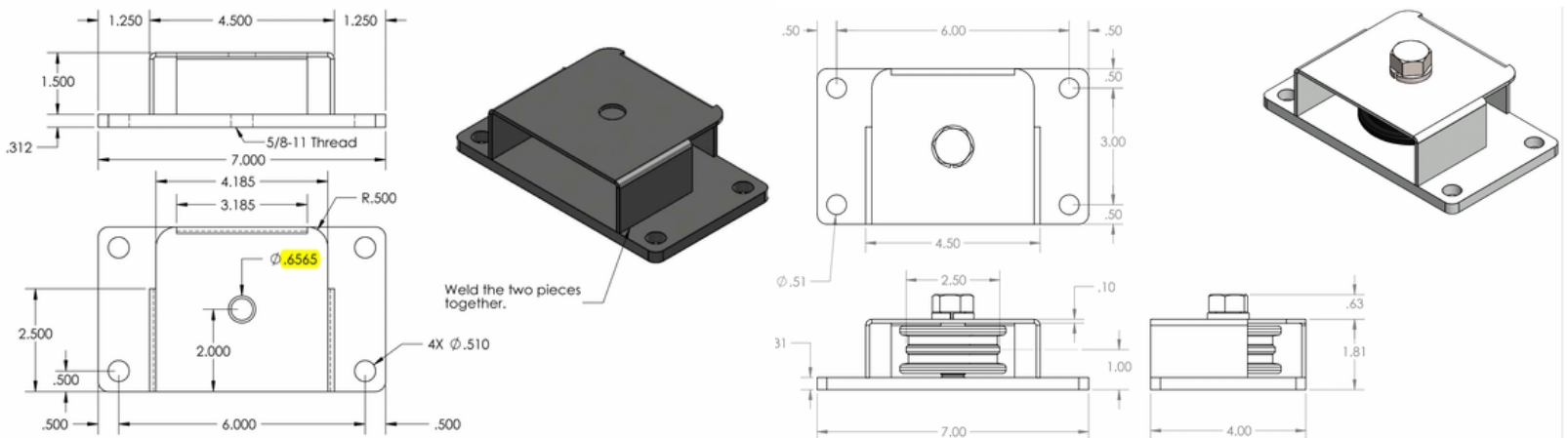
GATE OPERATOR HARDWARE & ACCESORIES

The IK-3 is an endless idler kit for center and rear mount slide gates. It comes with a 3" metal or plastic idler for size 41 and 40 chain, and the IK3-50 is available for 50 chain.

Part Number	Chain Size:
IK-3 Plastic	Fits on 40 and 41 size chain
IK-3 Metal	Fits on 40 and 41 size chain
IK-3 50 Metal	Fits on 50 size chain



Drawings



SLIDERS | SWINGERS | OVERHEADS

The standard by which all other automatic gate operators are measured.

